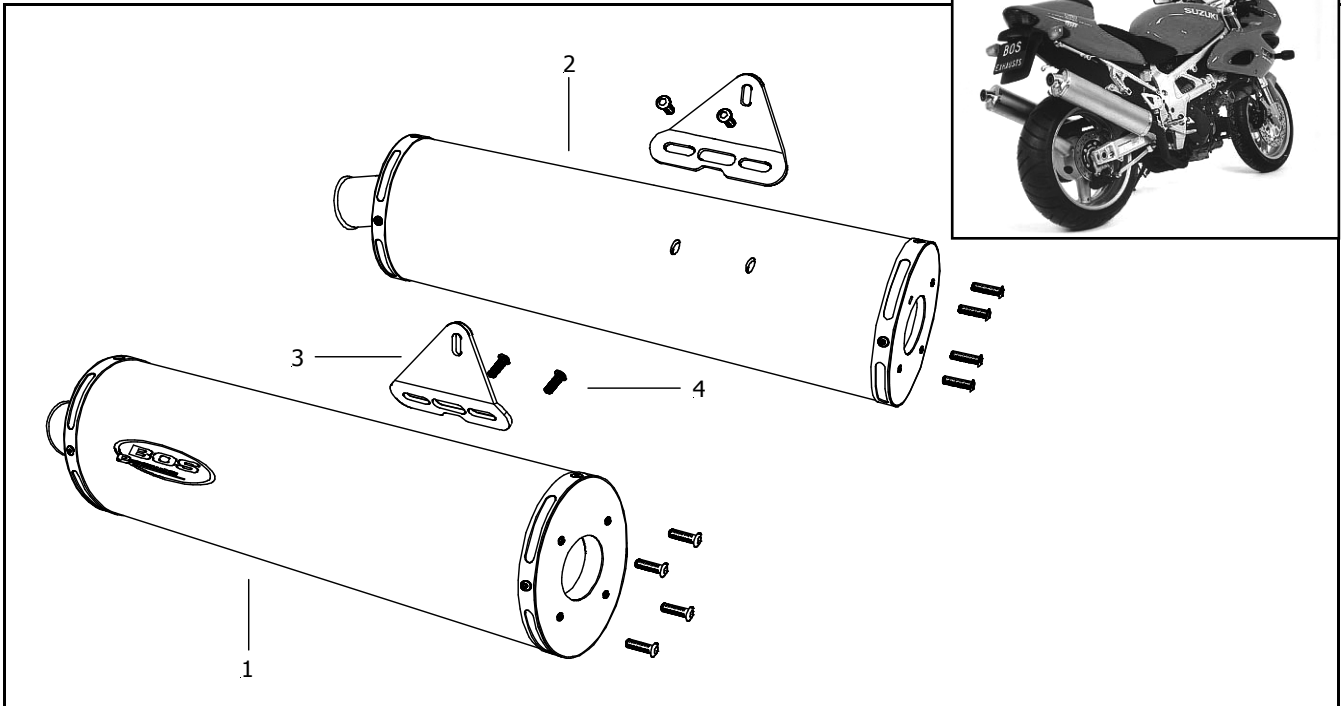


## BOS SCREW-ON OVAL



Pos	Qty	Description	Part No.
1	1	Muffler right aluminium	299192
2	1	Muffler left aluminium	299193
<b>Mounting kit :</b>			280070
3	2	Mounting bracket	227102
4	4	Bolt M6X16	408078

### Order number

1310510A -Alu

### Weight

Original: 7.0 kg

Bos: 4.9 kg

### Noiselevel @ 4250 RPM

Original: specified 90.0 dB(A)  
measured 90.0 dB(A)

Bos: Ec appr. 91.0 dB(A)  
open 94.5 dB(A)

### Performance

Bos: 114.5 Hp / 8737 rpm

Stock: 112.2 Hp / 8384 rpm

Max Hp incr.:+ 8.4 Hp / 6137 rpm

Max Nm incr. :+ 146 Nm / 3866 rpm

### Tips

Without changing anything but the exhaust, more power all the way. Also a reduction in weight of 2.1 kg. Sounds good too, adjustable with the dB eater, this reduces the noiselevel 1.5 dB. More information like photos and a full color dyno graph can be found on: [www.bos-exhausts.com](http://www.bos-exhausts.com)

