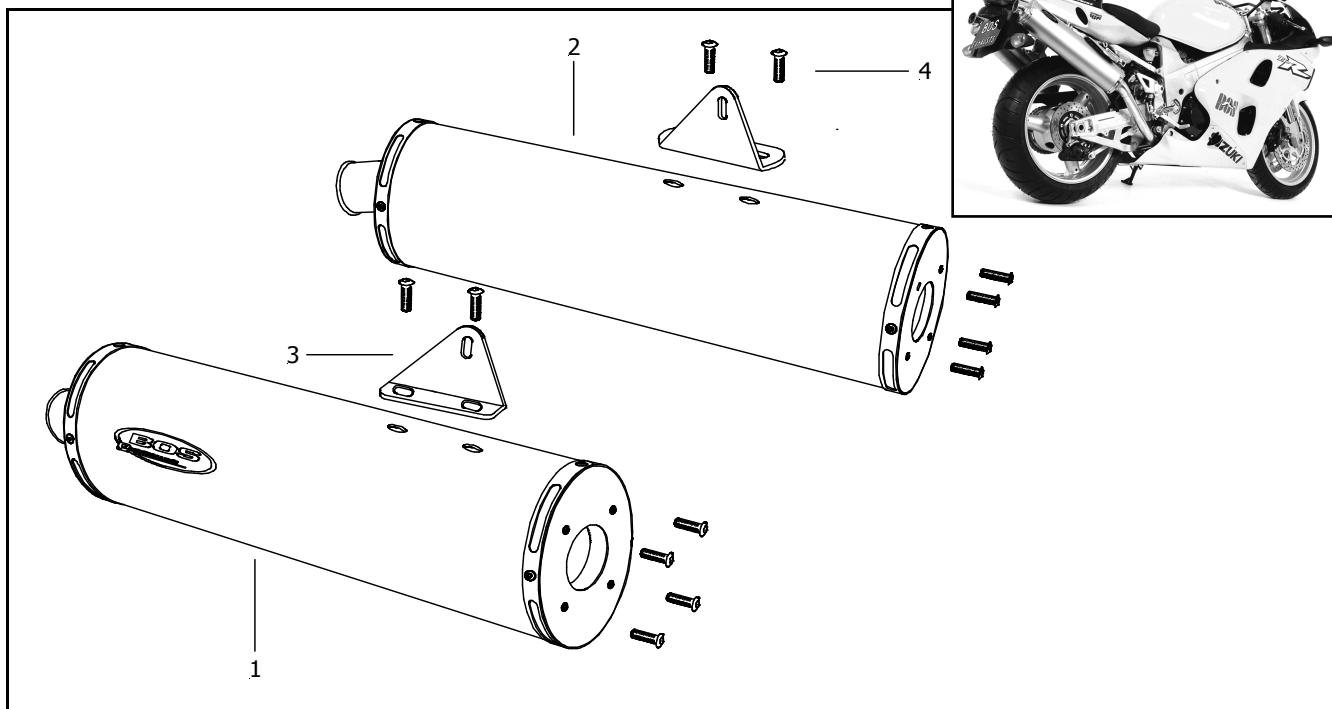


SUZUKI

TL1000RR

BOS SCREW-ON OVAL



Pos	Qty	Description	Part No.
1	1	Muffler right aluminium	299192
2	1	Muffler left aluminium	299193
Mounting kit :			280071
3	1	Mounting bracket right	227103
	1	Mounting bracket left	227104
4	4	Bolt M6X16	408078

Order number

1310518A -Alu

Weight

Original: 7.0 kg

Bos: 4.9 kg

Noiselevel @ 4100 RPM

Original specified 91.0 dB(A)
measured 91.0 dB(A)

Bos: Ec appr. 92.0 dB(A)
open 94.0 dB(A)

Performance

Bos: 120.6 Hp / 9138 rpm

Stock: 120.4 Hp / 9175 rpm

Max Hp incr.:+ 1.8 Hp / 6732 rpm

Tips

Without changing anything but the exhaust, more power all the way. Also a reduction in weight of 2.1 kg. Sounds good too, adjustable with the dB eater, this reduces the noise with 2dB(A).

More information like photos and a full color dyno graph can be found on: www.bos-exhausts.com

