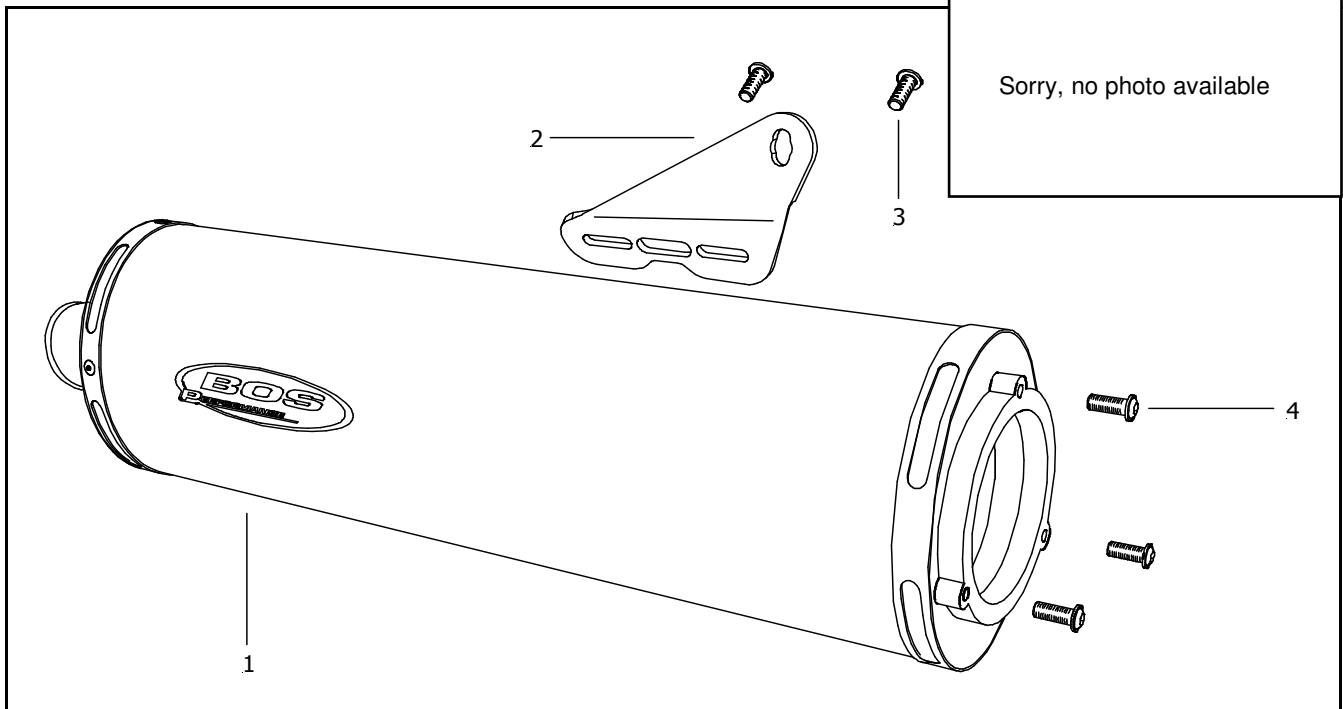


# YAMAHA

## BOS SCREW-ON OVAL

### YZF1000R THUNDERACE

Sorry, no photo available



Pos	Qty	Description	Part No.
1	1	Muffler aluminium	299173

#### Order number

1310376A - Alu

#### Mounting kit :

2	1	Mounting bracket	280027
3	2	Bolt M6 x 16	227070
4	3	Bolt M8 x 16	408078
			408053

#### Weight

Original: 4.0 kg

Bos: 2.8 kg

#### Noiselevel @ \*\*\*\* RPM

Original: Measured \*\*\*\* dB(a)

Specified \*\*\*\* dB(a)

Bos: Ec appr. \*\*\*\* dB(a)

Open \*\*\*\* dB(a)

#### Performance

Bos: 124.9 Hp / 10128 rpm

Stock: 124.1 Hp / 9983 rpm

Max Hp incr.:+ 3.2 Hp / 7267 rpm

#### Tips

More information like photos and a full color dyno graph can be found on: [www.bos-exhausts.com](http://www.bos-exhausts.com)

