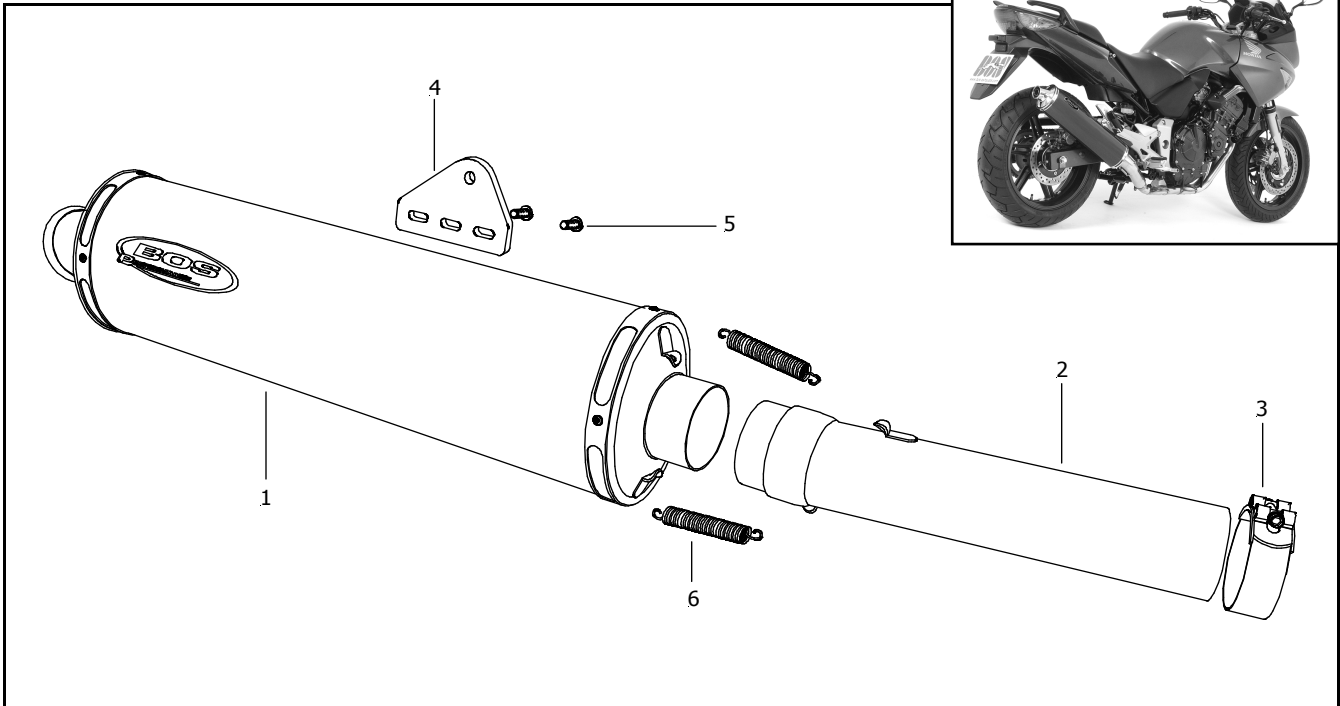


# HONDA

## BOS OVAL SLIP-ON till 2007

### CBF600



Pos	Qty	Description	Part No.
1	1	Muffler aluminium right	299148
	1	Muffler carbon right	299150
2	1	Adapter	298068
<b>Mounting kit :</b>			280046
3	1	Clamp 45	290045
4	1	Mounting bracket	227066
5	2	Bolt M6X16	408078
6	2	Spring	405001

Order number
0410206A - Alu
0410206C - Carbon

#### Weight

Original:	4.6 kg
Bos:	3.2 kg

#### Noiselevel @ 5250 RPM

Original:	specified	87.5 dB(A)
	measured	90.0 dB(A)
Bos:	Ec appr.	88.5 dB(A)
	open	92.5 dB(A)

#### Performance

Bos:	75.6 Hp / 9876 rpm
Stock:	68.1 Hp / 10098 rpm
Max Hp incr.:	+ 6.3 Hp / 9782 rpm
Max Nm incr. :	+ 7.6 Nm / 6227 rpm

#### Tips

More information like photos and a full color dyno graph can be found on: [www.bos-exhausts.com](http://www.bos-exhausts.com)

